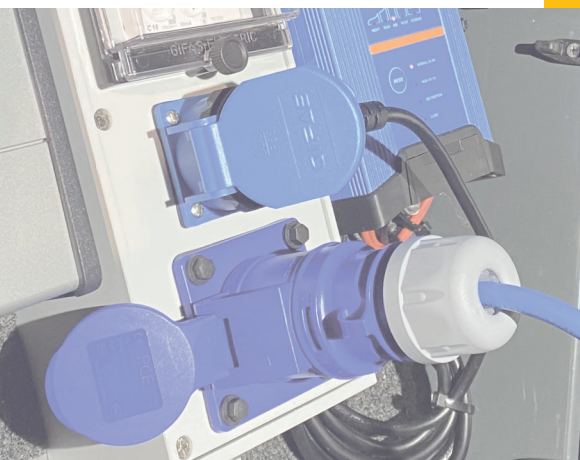


SYSTEMATIC QUALITY

Plugs and sockets



Catalogue



Technical informations CH-norm plugs and sockets

Pages 4-5

Technical informations
CEE-Products



Page 4

CH-norm
plugs and sockets



Page 5

Principle of the voltage time switch (CEE)

Page 6

Principle of the
voltage time switch
(CEE)



Page 6

Plugs/couplings Built-in plugs Special devices CEE

Pages 7-14

Plugs/couplings
IP44/IP54/IP67



Page 7

Built-in plugs
IP44/IP54/IP67



Page 8

Wall socket
IP44/IP54/IP67



Page 9

Equipment plug
IP44/IP67



Page 10

Low voltage/
high frequency
plastic



Page 11

Solid rubber range
IP44/IP67



Page 12

RCCB safety adapter Various plugs and sockets Switchable and fused wall sockets

Pages 15-18

RCCB
safety adapter



Page 15

Various
plugs and sockets



Pages 15-16

Switchable wall
sockets



Pages 17-18

Fused wall
sockets



Page 18

PowerSAFE Applications

Pages 19-23

PowerSAFE



Pages 19-20

PowerSAFE
compact switchbox



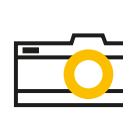
Page 21

PowerSAFE
cable



Page 22

Applications



Page 23

Low voltage
high frequency
Solid rubber range



Page 13

Phase-sequence
test plugs/
Changeover/Phase
inverters/Adapters



Page 13

Special devices
CEE



Pages 13-14

Material plastic

Our plugs and sockets are for the most part made of PA6 (polyamide) and PC/ABS. These technical plastics have special properties for these applications:

- excellent impact resistance in combination with high rigidity and strength
- high thermal stability
- very good insulating properties
- high breakdown strength
- high wear resistance
- high weather resistance
- very good chemical resistance to a large number of various chemicals
- free from cadmium and halogens (fluoride, chloride, bromine, iodine, astatine)
- compatible with RoHS Directive 2002/95/EC

Contacts

The contacts are made of a **copper-zinc alloy**. These have good properties for contact connections, such as:

- high electrical conductivity 15 MS/m / (m/Ω mm²)
- high tensile strength 103kN/mm²
- high corrosion resistance in industrial atmosphere sector
- in nickel-plated version increased corrosion resistance in the area of seawater, water vapour, sulphur compounds, agriculture, dairies
- compatible with RoHS Directive 2002/95/EC

CEE couplings and -plug sockets 63A and 125A include a CuBe laminated spring with optimal bonding and corrosion protection.

Temperatures

IEC/EN 60309 applies to CEE plugs and sockets, which are used in an ambient temperature that does not normally exceed a range of -25°C to +40°C. Our CEE plugs and sockets have a **temperature resistance of -25°C to +80°C, in the short term 1h +100°C.**

Connection terminals

The pillar terminals are designed for the following maximum line cross sections:

| Rated current | Line cross-section | |
|---------------|--------------------------|---|
| | flexible mm ² | Rigid (single-multi-strand) mm ² |
| A | | |
| 16 | 4 | 6 |
| 32 | 6 | 10 |
| 63 | 16 | 25 |
| 125 | 50 | 70 |

Product specifications

Plugs and sockets plastic:

- all contact screws:
 - accessible from one direction
 - cannot be lost and open
 - with combination slot
- laminated fields guarantee:
 - low insertion and separating forces
 - reduction of electric resistance
 - self-cleaning
 - optimal bonding: at least 10 contact points

Advantages plugs and couplings:

- cable relief and sealing of the line by tightening screw connection
- 100% tightness of cable inlet
- optimal anti-kink protection
- easy opening by unlocking and turning
- optimal grip
- large terminal compartment = fast, easy connection of cable
- open contact clamps

Sturdiness:

- for unfavourable environmental conditions
- special impact resistance
- highly heat-resistant contact carriers
- corrosion-protected contacts (e.g. in chemical plants)

Screwless plugs and sockets:

Screwless plugs and sockets can be used for housing all conductor cross-sections according to standard: for flexible, stripped wires with or without wire end sleeves or single filament stripped wires.

- **no adjusting and locking via additional sliders required**
- **screwless TT clamps (patented) (TT = TurboTwist)**
 - opened contact clamps in delivery condition
 - fast, easy connection of cable
 - opening and closing at the touch of a finger (without tools)

Low voltage/high frequency:

Safety extra-low voltage is a protective measure for use under unfavourable conditions; the rated value in AC voltage is limited to 50V at most. A secondary keyway is used to distinguish between voltage and frequency.

Solid rubber plugs and sockets:

GIFAS solid rubber plugs and sockets have a very high load-bearing capacity, offer maximum safety and durability.

- absolutely unbreakable
- nickel-plated contacts
- with threaded cable connection

Plugs and sockets type 13, 15, 23, 25

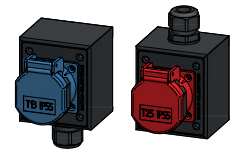
The entire CH-norm standard range for 10A and 16A (new) in the voltages 230/400V. All pins and sleeves are in a nickel-plated version.

Plugs IP55 black



| Item no. | Designation | No. of poles | Voltage (50-60Hz) | Strength of current |
|----------|----------------|--------------|-------------------|---------------------|
| ✓ 860813 | Plug black T13 | P+N+E | 230V | 10A |
| ✓ 861823 | Plug black T23 | P+N+E | 230V | 16A |
| ✓ 860815 | Plug black T15 | 3P+N+E | 230/400V | 10A |
| ✓ 860825 | Plug black T25 | 3P+N+E | 230/400V | 16A |

Sockets surface mounting IP55



| Item no. | Designation | Design | No. of poles | Voltage (50-60Hz) | Strength of current |
|----------|-------------|--|--------------|-------------------|---------------------|
| ✓ 228539 | Socket T13 | AP-M20 ¹⁾ or ²⁾ | P+N+E | 250V | 10A |
| ✓ 228540 | Socket T23 | AP-M20 ¹⁾ or ²⁾ | P+N+E | 230V | 16A |
| 228541 | Socket T15 | AP-M20 ¹⁾ or ²⁾ | 3P+N+E | 230/400V | 10A |
| 228542 | Socket T25 | AP-M20 ¹⁾ or ²⁾ | 3P+N+E | 230/400V | 16A |

¹⁾ = cable gland from above ²⁾ = cable gland from below

Right-angle plug IP55 black



| Item no. | Designation | No. of poles | Voltage (50-60Hz) | Strength of current |
|----------|----------------------|--------------|-------------------|---------------------|
| ✓ 861113 | Right-angle plug T13 | P+N+E | 230V | 10A |
| ✓ 861123 | Right-angle plug T23 | P+N+E | 230V | 16A |
| ✓ 861115 | Right-angle plug T15 | 3P+N+E | 230/400V | 10A |
| ✓ 861125 | Right-angle plug T25 | 3P+N+E | 230/400V | 16A |

Built-in sockets IP55



| Item no. | Designation | No. of poles | Voltage (50-60Hz) | Strength of current |
|----------|------------------|--------------|-------------------|---------------------|
| ✓ 860913 | Socket blue T13 | P+N+E | 230V | 10A |
| ✓ 860914 | Socket grey T13 | P+N+E | 230V | 10A |
| ✓ 860915 | Socket red T15 | 3P+N+E | 400V | 10A |
| ✓ 860916 | Socket black T13 | P+N+E | 230V | 10A |
| ✓ 860923 | Socket blue T23 | P+N+E | 230V | 16A |
| ✓ 860924 | Socket grey T23 | P+N+E | 230V | 16A |
| ✓ 860925 | Socket red T25 | 3P+N+E | 400V | 16A |

Couplings IP55 black



| Item no. | Designation | No. of poles | Voltage (50-60Hz) | Strength of current |
|----------|--------------------|--------------|-------------------|---------------------|
| ✓ 860814 | Coupling black T13 | P+N+E | 230V | 10A |
| ✓ 860824 | Coupling black T23 | P+N+E | 230V | 16A |
| ✓ 860816 | Coupling black T15 | 3P+N+E | 230/400V | 10A |
| ✓ 860826 | Coupling black T25 | 3P+N+E | 230/400V | 16A |

✓ from stock, offer subject to prior sale.
 Technical Information on page 4.
 Other versions available on request.

Principle of the voltage time switch (clock position)

The clock shows the position of the protection conductor contact for unchanging lug or groove on the casing. The lug or groove adopts the 6 o'clock position in all versions. Unlike the lug or groove, the protection conductor contact has a standardised clock setting conforming to the required electrical values. To allow the product to be easily identified, the various clock positions are assigned the colours given in the standard.

Operating voltage

20 - 25V
 40 - 50V
 100 - 130V
 200 - 250V
 380 - 480V
 500 - 690V
 >60 - 500Hz

Code colours

violet
 white
 yellow
 blue
 blue
 red
 black
 green

Position of the protection conductor contact socket relative to the polarising slot for different operating voltages (V) and frequencies (Hz) conforming to IEC 60309

Clock position of the protection conductor contact and colour coding:

| | 4h | 9h | 6h | 11h | 7h | 5h | 12h | 1h | 10h | 2h | 3h | 8h |
|----------------------|-----------------|-------------------|-------------------|-------------------|-------------------|-------------------|---------------------------------------|---------|---------|--------------------|------------------------------|-------------------------|
| Frequency Hz | 50-60 | 50-60 | 50-60 | 60 | 50-60 | 50-60 | 50-60 | - | 100-300 | over 300 up to 500 | 50-60 | |
| Voltage V | 57/100 – 75/130 | 120/208 – 144/250 | 200/346 – 240/415 | 250/400 – 265/460 | 277/480 – 288/500 | 347/600 – 400/690 | | over 50 | over 50 | over 50 | 220/380 – 250/440 16+32A | |
| 5-pol. 3P+N+E | | | | | | | | | | | | |
| Voltage V | 100 - 130 | 200 - 250 | 380 - 415 | 440 - 460 | 480 - 500 | 600 - 690 | Voltages after isolating transformer* | | over 50 | over 50 | 380 - 440 only for 16+32A | |
| 4-pol. 3P+E | | | | | | | | | | | | |
| Voltage V | 100 - 130 | 380 - 415 | 200 - 250 | | 480 - 500 | 277* | Voltages after isolating transformer | | * | | over 50 – 250 direct current | over 250 direct current |
| 3-pol. 2P+E | | | | | | | | | | | | |

View from the front of the coupling sockets on the contact sockets / 63A + 125A plugs and sockets with pilot contact
 *These versions are not standardised.

Position of the secondary lug to the primary lug for voltages up to 50V and frequencies up to 500Hz and colour coding:

| | - | 12h | 4h | 2h | 3h | 11h | 10h |
|---------------------|-------|-------|---------|----------|----------|--------------------|----------|
| Frequency Hz | 50-60 | 50-60 | 100-200 | 300 | 400 | over 400 up to 500 | GS |
| Voltage V | 20-25 | 40-50 | 40-50 | up to 50 | up to 50 | up to 50 | up to 50 |
| 2-pole | | | | | | | |
| 3-pole | | | | | | | |

View from the front of the coupling sockets on the contact sockets

Plastic range IP44 / IP54, IP67 (CEE)

Plug/coupling



Plastic plugs CEE IP44 / IP54

| No. of poles | Strength of current | Item no. | Item no. | Item no. | Item no. | Item no. |
|--------------|---------------------|----------|-----------|----------|----------|----------|
| 2P+E | 16 A | ✓ 056857 | 059380 | 175749 | 010499 | 048661 |
| 2P+E | 32 A | ✓ 057211 | 201040 | | | 100681 |
| 3P+E | 16 A | 042152 ✓ | 056858 | 058033 | ✓ 059621 | 113924 |
| 3P+E | 32 A | 104921 ✓ | 056859 | 058035 | 043782 | 016364 |
| 3P+N+E | 16 A | 072083 ✓ | 056860 | ✓ 021054 | 112042 | 048663 |
| 3P+N+E | 32 A | 022117 ✓ | 056861 | ✓ 040539 | | 100680 |
| 3P+N+E | 16 A | | ✓ *028789 | | | |
| 3P+N+E | 32 A | | ✓ *028790 | | | |

*Plastic plug CEE screwless

Plastic couplings CEE IP44 / IP54

| No. of poles | Strength of current | Item no. | Item no. | Item no. | Item no. | Item no. |
|--------------|---------------------|----------|-----------|----------|----------|----------|
| 2P+E | 16 A | ✓ 056864 | 059295 | 198681 | 010500 | 041505 |
| 2P+E | 32 A | ✓ 057213 | 126223 | | | 029790 |
| 3P+E | 16 A | 103350 ✓ | 056865 | 058039 | 043787 | |
| 3P+E | 32 A | 128194 ✓ | 056866 | 042539 | 043788 | 111965 |
| 3P+N+E | 16 A | 103976 ✓ | 056867 | ✓ 040327 | 112043 | 048743 |
| 3P+N+E | 32 A | | ✓ 056868 | ✓ 040541 | | 157880 |
| 3P+N+E | 16 A | | ✓ *028791 | | | |
| 3P+N+E | 32 A | | ✓ *028792 | | | |

*Plastic plug CEE screwless



Plastic plugs CEE IP67

| No. of poles | Strength of current | Item no. | Item no. | Item no. | Item no. | Item no. |
|--------------|---------------------|----------|----------|----------|----------|----------|
| 2P+E | 16 A | ✓ 055992 | 150499 | 053393 | 154408 | |
| 2P+E | 32 A | 059788 | | | | |
| 2P+E | 63 A | 049612 | | | | |
| 3P+E | 16 A | 152062 ✓ | 055996 ✓ | 043750 ✓ | 043783 | |
| 3P+E | 32 A | | ✓ 055997 | 043751 | 043785 | |
| 3P+E | 63 A | 187653 ✓ | 055998 ✓ | 058036 | | 107634 |
| 3P+E | 125 A | 203525 ✓ | 056862 | 043762 | | 198933 |
| 3P+N+E | 16 A | 018693 ✓ | 055993 | 050753 | | 225228 |
| 3P+N+E | 32 A | 035455 ✓ | 055994 ✓ | 013929 | | 028493 |
| 3P+N+E | 63 A | 023613 ✓ | 055995 ✓ | 050752 | | ✓ 028491 |
| 3P+N+E | 125 A | | ✓ 056863 | ✓ 059085 | | 193089 |

Plastic couplings CEE IP67

| No. of poles | Strength of current | Item no. | Item no. | Item no. | Item no. | Item no. |
|--------------|---------------------|----------|----------|----------|----------|----------|
| 2P+E | 16 A | ✓ 056000 | 172955 | 033144 | 171655 | 019764 |
| 2P+E | 32 A | 020580 | | | | |
| 2P+E | 63 A | 046384 | | | | |
| 2P+E | 125 A | 187654 | | | | |
| 3P+E | 16 A | 042188 ✓ | 056004 | 043752 | 043796 | |
| 3P+E | 32 A | 212776 ✓ | 056005 | 043753 | 043797 | |
| 3P+E | 63 A | 142199 ✓ | 056006 ✓ | 043758 | | |
| 3P+E | 125 A | 203526 ✓ | 056869 | 043760 | | |
| 3P+N+E | 16 A | 018694 ✓ | 056001 | 033143 | | |
| 3P+N+E | 32 A | 114165 ✓ | 056002 ✓ | 029090 | | 233323 |
| 3P+N+E | 63 A | 023614 ✓ | 056003 ✓ | 032779 | | ✓ 162617 |
| 3P+N+E | 125 A | | ✓ 056870 | ✓ 017491 | | 169211 |

✓ from stock, offer subject to prior sale.

Technical Information on page 4.

Other versions, dimensions, protective caps for plug on request.

Built-in sockets



Plastic slanted built-in sockets CEE IP44/IP54



| No. of poles | Strength of current | | Item no. | Item no. | Item no. | Item no. | Item no. |
|--------------|---------------------|---|----------|----------|----------|----------|----------|
| 2P+E | 16A | ✓ | 056929 | 059378 | 189577 | 191980 | 104417 |
| 2P+E | 32A | ✓ | 057214 | 169321 | 216890 | | 164553 |
| 3P+E | 16A | | 042150 | ✓ 056930 | 043776 | 019422 | 113926 |
| 3P+E | 32A | | 022626 | ✓ 056932 | 043777 | 019425 | 033548 |
| 3P+N+E | 16A | | 103603 | ✓ 056931 | ✓ 021056 | 147276 | 197384 |
| 3P+N+E | 32A | | 010076 | ✓ 056933 | ✓ 044812 | | 229602 |



Plastic slanted built-in sockets CEE IP67

| No. of poles | Strength of current | | Item no. | Item no. | Item no. | Item no. | Item no. |
|--------------|---------------------|---|----------|----------|----------|----------|----------|
| 2P+E | 16A | ✓ | 055975 | 112089 | 130299 | | |
| 3P+E | 16A | | 053396 | ✓ 055976 | 043778 | | |
| 3P+E | 32A | | | ✓ 055978 | 043779 | | |
| 3P+E | 63A | | 162794 | ✓ 055988 | 043780 | | |
| 3P+E | 125A | | | 056934 | 043781 | | 198932 |
| 3P+N+E | 16A | | 159010 | ✓ 055977 | 050751 | | |
| 3P+N+E | 32A | | 144977 | ✓ 055980 | ✓ 029093 | | 028490 |
| 3P+N+E | 63A | | 128330 | ✓ 055367 | 050750 | | 028479 |
| 3P+N+E | 125A | | | ✓ 056935 | 044381 | | |



Plastic straight built-in sockets CEE IP44/IP54

| No. of poles | Strength of current | | Item no. | Item no. | Item no. | Item no. | Item no. |
|--------------|---------------------|---|----------|----------|----------|----------|----------|
| 2P+E | 16A | ✓ | 056936 | 054780 | 175750 | 023069 | 048662 |
| 2P+E | 32A | ✓ | 057215 | 201039 | | | 197897 |
| 3P+E | 16A | | 141802 | ✓ 056937 | 043766 | 043807 | 113925 |
| 3P+E | 32A | | 029293 | ✓ 056939 | 043767 | 043808 | 033555 |
| 3P+N+E | 16A | | 181990 | ✓ 056938 | ✓ 054832 | | 048665 |
| 3P+N+E | 32A | | 105631 | ✓ 056940 | ✓ 016006 | | 106911 |



Plastic straight built-in sockets CEE IP67

| No. of poles | Strength of current | | Item no. | Item no. | Item no. | Item no. | Item no. |
|--------------|---------------------|---|----------|----------|----------|----------|----------|
| 2P+E | 16A | ✓ | 056077 | | | | |
| 2P+E | 32A | | 118796 | | | | |
| 3P+E | 16A | | 136772 | ✓ 056078 | 043765 | 043809 | |
| 3P+E | 32A | | 136773 | 056079 | 043763 | 043810 | |
| 3P+E | 63A | | 136774 | ✓ 055990 | 042795 | | 020200 |
| 3P+E | 125A | | | 056943 | 043769 | | |
| 3P+N+E | 16A | | 025978 | ✓ 055684 | 153561 | | |
| 3P+N+E | 32A | | 035456 | ✓ 055989 | ✓ 029092 | | |
| 3P+N+E | 63A | | 163720 | ✓ 055991 | 041267 | | 210351 |
| 3P+N+E | 125A | | | ✓ 056945 | 212867 | 212867 | |

✓ from stock, offer subject to prior sale.
 Technical Information on page 4.
 Other versions available on request.

Plastic wall sockets CEE IP44/IP54/IP67

Wall sockets



Plastic wall sockets CEE IP44/IP54

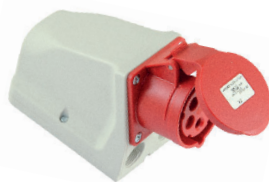


| No. of poles | Strength of current | Cable connection | Item no. | Item no. | Item no. | Item no. | Item no. |
|--------------|---------------------|------------------|----------|----------|----------|----------|----------|
| 2P+E | 16 A | M25 | ✓ 056992 | ✓ 102569 | 181826 | 035521 | 034447 |
| 2P+E | 32 A | M25 | 057216 | | | | 100679 |
| 3P+E | 16 A | M25 | 014400 | ✓ 056995 | 058038 | 043812 | 036122 |
| 3P+E | 32 A | M25 | 025475 | ✓ 056997 | 043770 | 043814 | 016366 |
| 3P+N+E | 16 A | M25 | 057194 | ✓ 056996 | ✓ 060051 | | 034445 |
| 3P+N+E | 32 A | M25 | 026902 | ✓ 056998 | ✓ 022065 | | 100678 |



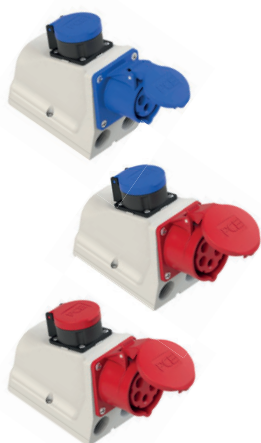
Plastic wall sockets CEE IP67

| No. of poles | Strength of current | Cable connection | Item no. | Item no. | Item no. | Item no. | Item no. |
|--------------|---------------------|------------------|----------|----------|----------|----------|----------|
| 2P+E | 16 A | M25 | ✓ 056994 | | 055396 | 154407 | 101188 |
| 3P+E | 16 A | M25 | 152060 | ✓ 056999 | 043772 | 043815 | |
| 3P+E | 32 A | M25 | | 057000 | 043773 | 043816 | |
| 3P+E | 63 A | 2×M32, 1×M40 | 185278 | 057001 | 043774 | | |
| 3P+E | 125 A | 2×M40, 1×M63 | | 057003 | 043775 | | |
| 3P+N+E | 16 A | M25 | 156862 | ✓ 057004 | 029848 | | |
| 3P+N+E | 32 A | M25 | | ✓ 057005 | 029091 | | |
| 3P+N+E | 63 A | 2×M32, 1×M40 | 182193 | ✓ 057006 | 050754 | | 157830 |
| 3P+N+E | 125 A | 1×M63, 2×M40 | | ✓ 057007 | 147052 | | |



Wall sockets CEE for wiring through IP44

| No. of poles | Strength of current | Cable connection | Item no. | Item no. | Item no. | Item no. | Item no. |
|--------------|---------------------|------------------|----------|----------|----------|----------|----------|
| 3P+N+E | 16 A | M25 | | ✓ 021637 | 033263 | | |
| 3P+N+E | 32 A | M25 | | ✓ 045997 | 105891 | | |



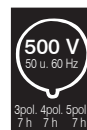
Wall socket combinations CEE in plastic IP44/IP54



| No. of poles | Strength of current | Equipment | Cable | Item no. | Item no. |
|--------------|---------------------|--------------|--|----------|----------|
| 2P+E | 16 A | CEE 16/3+T23 | above, 2× below or at the back, Ø20 mm (M25) | 236901 | |
| 3P+N+E | 16 A | CEE 16/5+T23 | above, 2× below or at the back, Ø20 mm (M25) | | ✓ 236902 |
| 3P+N+E | 16 A | CEE 16/5+T25 | above, 2× below or at the back, Ø20 mm (M25) | | ✓ 236900 |
| 3P+N+E | 32 A | CEE 32/5+T23 | above, 2× below or at the back, Ø20 mm (M25), protected by fuse 10 A | | ✓ 236903 |

✓ from stock, offer subject to prior sale
 Technical Information on page 4
 Other versions available on request.

Built-in and wall mounted plugs



Plastic built-in equipment plugs CEE IP44



| No. of poles | Strength of current | Cable connection | Item no. | Item no. | Item no. | Item no. | Item no. |
|--------------|---------------------|------------------|----------|----------|----------|----------|---------------|
| 2P+E | 16A | | ✓ 056461 | 126180 | | | 034000 054805 |
| 2P+E | 32A | | 028147 | | | | |
| 3P+E | 16A | | 039389 | 056462 | 051275 | | 051279 |
| 3P+E | 32A | | 113744 | 056463 | 051276 | | 051281 |
| 3P+N+E | 16A | | | ✓ 056460 | 177503 | | |
| 3P+N+E | 32A | | | ✓ 056464 | ✓ 029095 | | 230247 |

Plastic built-in equipment plugs CEE IP67



| No. of poles | Strength of current | Cable connection | Item no. | Item no. | Item no. | Item no. | Item no. |
|--------------|---------------------|------------------|----------|----------|----------|----------|----------|
| 2P+E | 16A | | 038950 | | | | |
| 3P+N+E | 16A | | 117799 | 038949 | 180601 | | |
| 3P+N+E | 32A | | | ✓ 038948 | 118897 | | |
| 3P+E | 63A | | | 056465 | 220915 | | |
| 3P+E | 125A | | | 040467 | 017204 | | |
| 3P+N+E | 63A | | | ✓ 056466 | ✓ 177504 | | ✓ 225408 |
| 3P+N+E | 125A | | | ✓ 011577 | ✓ 017489 | | ✓ 169209 |

Plastic wall equipment plugs CEE IP44



| No. of poles | Strength of current | Cable connection | Item no. | Item no. | Item no. | Item no. | Item no. |
|--------------|---------------------|------------------|-----------|-----------|----------|----------|----------|
| 2P+E | 16A | M25 | ✓ 057008 | | | | |
| 2P+E | 16A | M25 | ✓ 043932* | | | | |
| 2P+E | 32A | M25 | 057217 | | | | |
| 3P+E | 16A | M25 | | 057009 | 051283 | | 051287 |
| 3P+E | 32A | M25 | | 057011 | 051284 | | 051288 |
| 3P+N+E | 16A | M25 | 141952 | ✓ 057010 | 116960 | | 221129 |
| 3P+N+E | 16A | M25 | | ✓ 046850* | | | |
| 3P+N+E | 32A | M25 | | ✓ 057012 | 109288 | | 225407 |
| 3P+N+E | 32A | M25 | | 055285* | | | |

* Plastic wall equipment plugs with cover

Plastic wall equipment plugs CEE IP67



| No. of poles | Strength of current | Cable connection | Item no. | Item no. | Item no. | Item no. | Item no. |
|--------------|---------------------|------------------|----------|----------|----------|----------|----------|
| 2P+E | 16A | M20 | 145002 | | | | |
| 3P+E | 16A | M20 | | 163946 | | | |
| 3P+N+E | 16A | M20 | | 145001 | | | |
| 3P+N+E | 32A | M25 | | 144999 | 216048 | | 233322 |
| 3P+E | 63A | 2×M32, 1×M40 | | ✓ 057013 | 051285 | | |
| 3P+E | 125A | 2×M40, 1×M63 | | 057015 | 051286 | | |
| 3P+N+E | 63A | 2×M32, 1×M40 | | ✓ 057014 | ✓ 031013 | | ✓ 193099 |
| 3P+N+E | 125A | 2×M40, 1×M63 | | ✓ 057016 | ✓ 168684 | | ✓ 220261 |

✓ from stock, offer subject to prior sale.

Technical Information on page 4.

Other versions, dimensions, protective caps on request.

Plastic low voltage/high frequency (CEE)

Low voltage/high frequency



Plastic plug CEE,
cable inlet with anti-kink sleeve, IP44

| No. of poles | Strength of current | Item no. | Item no. | Item no. |
|--------------|---------------------|----------|----------|-----------|
| 2P | 16A | ✓ 040494 | ✓ 043653 | 043855 |
| 2P | 32A | 043659 | 043661 | 043858 |
| 3P | 16A | ✓ 043654 | ✓ 043655 | ✓ 043856 |
| 3P | 32A | 043662 | 043663 | ✓ 059620 |
| 3P | 63A | | | ✓ *011568 |

Plastic couplings CEE,
cable inlet with anti-kink sleeve, IP44

| No. of poles | Strength of current | Item no. | Item no. | Item no. |
|--------------|---------------------|----------|----------|----------|
| 2P | 16A | ✓ 043472 | 043656 | 043880 |
| 2P | 32A | 043667 | 043669 | 043916 |
| 3P | 16A | 043657 | 043658 | ✓ 043881 |
| 3P | 32A | 043670 | 043671 | ✓ 041843 |
| 3P | 63A | | | *011569 |

Plastic built-in equipment plugs CEE, IP44

| No. of poles | Strength of current | Item no. | Item no. | Item no. |
|--------------|---------------------|----------|----------|----------|
| 2P | 16A | 051289 | 034804 | 051299 |
| 2P | 32A | 051290 | 051294 | 051300 |
| 3P | 16A | 051291 | 051297 | 051301 |
| 3P | 32A | 051292 | 051298 | 051302 |

Plastic built-in sockets CEE, IP44/IP54

| No. of poles | Strength of current | Item no. | Item no. | Item no. |
|--------------|---------------------|----------|----------|-----------|
| 2P | 16A | ✓ 043712 | 043713 | 043890 |
| 2P | 32A | 043716 | 043718 | 043921 |
| 3P | 16A | 043714 | 043715 | 043891 |
| 3P | 32A | 043719 | 043720 | 041793 |
| 3P | 63A | | | ✓ *011570 |

Plastic wall equipment plugs CEE,
cable inlet prepared with M25 thread, IP44

| No. of poles | Strength of current | Item no. | Item no. | Item no. |
|--------------|---------------------|----------|----------|----------|
| 2P | 16A | 043738 | 043739 | 051303 |
| 2P | 32A | 043744 | 043746 | 051305 |
| 3P | 16A | 043740 | 043743 | 051306 |
| 3P | 32A | 043748 | 043749 | 051307 |

Plastic wall sockets CEE,
cable inlet prepared with M25 thread, IP44

| No. of poles | Strength of current | Item no. | Item no. | Item no. |
|--------------|---------------------|----------|----------|----------|
| 2P | 16A | 043473 | 043694 | 043901 |
| 2P | 32A | 043698 | 043699 | 043905 |
| 3P | 16A | 043695 | 043696 | 043902 |
| 3P | 32A | 043700 | 043701 | 043906 |

*Not suitable with HF solid rubber range 50V

✓ from stock, offer subject to prior sale.
Technical Information on page 4.
Other versions available on request.

Plugs/Couplings/ Built-in sockets/Wall sockets



| Designation | Protection category | No. of poles | Strength of current | Cable inlet | Item no. | Item no. |
|-------------|---------------------|--------------|---------------------|-------------|----------|----------|
| Plug | IP44 | 2P+E | 16A | M20 | ✓ 010049 | |
| Plug | IP44 | 3P+N+E | 16A | M25 | | ✓ 010101 |
| Coupling | IP44 | 2P+E | 16A | M20 | ✓ 010058 | |
| Coupling | IP44 | 3P+N+E | 16A | M25 | | ✓ 010115 |



| Designation | Protection category | No. of poles | Strength of current | Cable inlet | Item no. | Item no. |
|-------------|---------------------|--------------|---------------------|-------------|----------|----------|
| Plug | IP44 | 3P+N+E | 32A | M32 | | ✓ 010105 |
| Coupling | IP44 | 3P+N+E | 32A | M32 | | ✓ 010118 |



| Designation | Protection category | No. of poles | Strength of current | Cable inlet | Item no. | Item no. |
|-------------|---------------------|--------------|---------------------|-------------|----------|----------|
| Plug | IP67 | 3P+N+E | 63A | M40 | | ✓ 010111 |



| Designation | Protection category | No. of poles | Strength of current | Cable inlet | Item no. | Item no. |
|-----------------|---------------------|--------------|---------------------|-------------|----------|-----------|
| Built-in socket | IP44 | 2P+E | 16A | | ✓ 010067 | |
| Built-in socket | IP44 | 3P+N+E | 16A | | | ✓ 010127* |
| Wall socket | IP44 | 2P+E | 16A | M20 | 010081 | |
| Wall socket | IP44 | 3P+N+E | 16A | M20 | | ✓ 010146 |

* Normal flange (100×100)

** Narrow flange (80×100)



| Designation | Protection category | No. of poles | Strength of current | Cable inlet | Item no. | Item no. |
|-----------------|---------------------|--------------|---------------------|-------------|----------|----------|
| Built-in socket | IP44 | 3P+N+E | 32A | | | ✓ 010134 |
| Wall socket | IP44 | 3P+N+E | 32A | M25 | | ✓ 010149 |

✓ from stock, offer subject to prior sale.
 Technical Information on page 4.
 Other versions available on request.

Low voltage /high frequency solid rubber range (CEE) Special devices CEE /Adapters

Low voltage/high frequency Adapter plate and plug-socket



Solid rubber plug CEE IP44

| No. of poles | Strength of current | Cable inlet | Item no. |
|--------------|---------------------|-------------------------|----------|
| 3P | 32A | (for cable-Ø 13.5-23mm) | ✓ 010240 |



Solid rubber coupling CEE IP44

| No. of poles | Strength of current | Cable inlet | Item no. |
|--------------|---------------------|-------------------------|----------|
| 3P | 32A | (for cable-Ø 13.5-23mm) | ✓ 010244 |



Solid rubber built-in socket CEE IP44

| No. of poles | Strength of current | Cable inlet | Item no. |
|--------------|---------------------|-------------|----------|
| 3P | 32A | | ✓ 010248 |



Solid rubber wall socket CEE IP44

| No. of poles | Strength of current | Cable inlet | Item no. |
|--------------|---------------------|-------------|----------|
| 3P | 32A | M20 | 051269 |



Conversion kits for a change-over on the frequency converter (vibrator)

| Hard rubber adapter plate | |
|--|--|
| 029353 | Rectangular 90×110 mm (for Busch-Nova) |
| Complete conversion kit: Adapter plate and plug-socket incl. seal | |
| 033516 | Busch-Nova to CEE 32A/3P |

Diagnostic connector/test plugs/ Phase inverters/Adapters



Diagnostic connector IP20

| Art.-Nr. | Polzahl | Spannung (50-60 Hz) | Stromstärke |
|----------|---------|---------------------|-------------|
| ✓ 178679 | 3P+N+E | 400V | 16A |
| ✓ 178681 | 3P+N+E | 400V | 32A |



Test plug IP44

| Item no. | No. of poles | Voltage (50-60 Hz) | Strength of current |
|----------|--------------|--------------------|---------------------|
| ✓ 056047 | 3P+N+E | 400V | 16A |
| ✓ 056048 | 3P+N+E | 400V | 32A |
| ✓ 056659 | 3P+N+E | 400V | 63A |



Phase inverter IP44/IP54

| Item no. | No. of poles | Voltage (50-60 Hz) | Strength of current |
|----------|--------------|--------------------|---------------------|
| ✓ 051309 | 3P+N+E | 400V | 16A |
| ✓ 051310 | 3P+N+E | 400V | 32A |



Adapter CEE-Schuko IP44

| Item no. | No. of poles | Voltage (50-60 Hz) | Strength of current |
|----------|--------------|--------------------|---------------------|
| ✓ 050997 | 2P+E | 230V | 16A |

Input: CEE 16A-plug
Output: Shock-proof coupling with cover



Fixed adapter CEE7-T12 IP20

| Item no. | No. of poles | Voltage (50-60 Hz) | Strength of current |
|----------|--------------|--------------------|---------------------|
| ✓ 012146 | 2P+E | 230V | 10A |

Oneway mounting, not anymore demountable, with plug-in assistance

✓ from stock, offer subject to prior sale.
Technical Information on page 4.
Other versions available on request.

Sockets Plug adapter Multiple coupling

- Plug adapter with suspension
- Plug adapter phase inverter with suspension
- Multiple coupling with suspension

offer the greatest possible flexibility on all building sites and service environments; versions with retaining clips also available.



Panelmounted socket outlet, angled IP44 / IP54



| No. of poles | Strength of current | Item no. | Item no. |
|--------------|---------------------|----------|----------|
| 3P | 16A | 148316 | |

Lockable with a padlock for camping- and harbour power connectors



Plug adapter IP44

| No. of poles | Strength of current | Item no. | Item no. |
|--------------|---------------------|----------|----------|
| 3P+N+E | 16A | | ✓ 029757 |

Input: CEE 32A
Output: CEE 16A via automatic cut-out



Plug adapter phase inverter IP44

| No. of poles | Strength of current | Item no. | Item no. |
|--------------|---------------------|----------|----------|
| 3P+N+E | 16A | | ✓ 029760 |

Input: CEE 32A
Output: CEE 16A via automatic cut-out



Multiple coupling with suspension IP44

| No. of poles | Strength of current | Item no. | Item no. |
|--------------|---------------------|----------|----------|
| 3P+N+E | 16A | | ✓ 050998 |

Input: CEE 16A
Output: 3×CEE 16A



Multiple coupling with suspension IP44

| No. of poles | Strength of current | Item no. | Item no. |
|--------------|---------------------|----------|----------|
| 3P+N+E | 32A | | ✓ 029756 |

Input: CEE 32A
Output: 3×CEE 32A

Right-angle plug

- Right-angle plug, also screwless
 - Right-angle plug phase inverter, also screwless
- suitable for cramped spaces, opening and closing at the touch of a finger (without tools), faultless connection as a result of clearly identified clamps.



Right-angle plug IP44



| No. of poles | Strength of current | Item no. | Item no. |
|--------------|---------------------|----------|----------|
| 3P | 16A | *030546 | |
| 4P | 16A | | *030548 |
| 5P | 16A | | *103274 |
| 5P | 16A | | 049955 |
| 5P | 32A | | 049956 |

*screwless plug



Right-angle plug IP67

| No. of poles | Strength of current | Item no. | Item no. |
|--------------|---------------------|----------|----------|
| 3P | 16A | *030547 | |
| 4P | 16A | | *030549 |
| 5P | 16A | | *145739 |
| 5P | 32A | | *114811 |

*screwless plug



Right-angle plug phase inverter IP44

| No. of poles | Strength of current | Item no. | Item no. |
|--------------|---------------------|----------|----------|
| 3P+E | 16A | | 030550 |



Right-angle plug phase inverter IP67

| No. of poles | Strength of current | Item no. | Item no. |
|--------------|---------------------|----------|----------|
| 3P+E | 16A | | 030551 |

✓ from stock, offer subject to prior sale

RCCB safety adapters / Multi-couplings / Schuko / NF version

RCCB safety adapters Multi-couplings

- safety adapter range and personal safety adapters provide excellent protection of people and property.
- multi-couplings 3x type 13/3x type 23 for special applications, supplied with or without cable



Personal safety switch PRCD/IP55, for optimum personal safety as intermediate cord device

| Item no. | Voltage (50-60 Hz) | Strength of current |
|------------|--------------------|---------------------|
| ✓ 059069* | 230V | 16A/10 mA |
| ✓ 109944** | 230V | 16A/30 mA |

* Type S (Standard)

** Type K (for emergency power generator)



| Item no. | Voltage (50-60 Hz) | Strength of current |
|----------|--------------------|---------------------|
| ✓ 222286 | 230V | 16A/30 mA |

Type S+ (Standard)

Multi-couplings 3xT13, 230V/10A IP55



| Item no. | Feed-in cable | No. of poles |
|----------|--|--------------|
| ✓ 228543 | without cable | P+N+E |
| ✓ 228506 | cable 5m/ 3x1.5 mm ² /T13 | P+N+E |
| ✓ 228521 | cable 10m/ 3x1.5 mm ² /T13 | P+N+E |
| ✓ 228508 | cable 5m/ 5x1.5 mm ² /T15 | P+N+E |
| 228523 | cable 10m/ 5x1.5 mm ² /T15 | P+N+E |



Coupling 3xType 23, 230V/16A IP54



| Item no. | Feed-in cable | No. of poles |
|----------|---------------|--------------|
| ✓ 228544 | without cable | P+N+E |

Safety plugs and sockets/NF version

- The earthing contact plugs and sockets for 250V/16A and the plugs and sockets for the French NF standard for 250V/16A are made of solid rubber (built-in socket made of high quality plastic) and fitted with nickel-plated contacts.



Plugs Schuko IP54

| Item no. | No. of poles | Voltage (50-60 Hz) | Strength of current |
|----------|--------------|--------------------|---------------------|
| ✓ 010343 | P+N+E | 250V | 16A |



Coupling Schuko IP54

| Item no. | No. of poles | Voltage (50-60 Hz) | Strength of current |
|----------|--------------|--------------------|---------------------|
| ✓ 010344 | P+N+E | 250V | 16A |



Built-in socket Schuko IP54

| Item no. | No. of poles | Voltage (50-60 Hz) | Strength of current |
|----------|--------------|--------------------|---------------------|
| ✓ 014750 | P+N+E | 250V | 16A |



Plugs NF IP44/IP54

| Item no. | No. of poles | Voltage (50-60 Hz) | Strength of current |
|----------|--------------|--------------------|---------------------|
| ✓ 020336 | 2P+E | 250V | 16A |



Coupling NF IP20 (IP if plugged in IP44)

| Item no. | No. of poles | Voltage (50-60 Hz) | Strength of current |
|----------|--------------|--------------------|---------------------|
| ✓ 020338 | 2P+E | 250V | 16A |



Built-in socket Schuko F/B IP54

| Item no. | No. of poles | Voltage (50-60 Hz) | Strength of current |
|----------|--------------|--------------------|---------------------|
| ✓ 039085 | P+N+E | 250V | 16A |

✓ from stock, offer subject to prior sale

Various plugs and sockets

Range of popular plugs and sockets (particularly in Switzerland) and as well built-in sockets RJ45. All articles for indoor use IP20.



| Item no. | Designation |
|----------|--|
| ✓ 028498 | Built-in socket 1×RJ45 Cat.6a Modul 8(8) yellow IP55 (incl. flat seal) |
| ✓ 026235 | Built-in socket 2×RJ45 Cat.6a Modul 8(8) yellow IP55 (incl. flat seal) |



| Item no. | Designation |
|----------|--|
| ✓ 054924 | Plug type 12, Polyamide white 2P+E, 10A, 230V |
| ✓ 041991 | Coupling type 13, Polyamide white, 2P+E, 10A, 230V |



| Item no. | Designation |
|----------|---|
| ✓ 243196 | Plug type 12, polycarbonate black L+N+PE, 10A, 230V |
| ✓ 010365 | Coupling type 13, Polyamide black, 2P+E, 10A, 230V |



| Item no. | Designation |
|----------|--|
| 024274 | Distribution plug 3×type 13, Nylon white 2P+E, 10A, 230V |



| Item no. | Designation |
|----------|---|
| ✓ 010357 | Distribution plug 3×type 13 Nylon white 2P+E, 10A, 230V |



| Item no. | Designation |
|----------|---|
| ✓ 044358 | Plug type 23, Plastic/2P+E, 16A, 230V/50-60Hz |
| ✓ 044365 | Coupling type 23, Plastic/2P+E, 16A, 230V/50-60Hz |



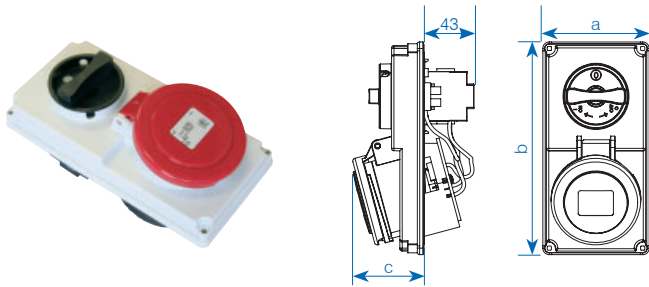
| Item no. | Designation |
|----------|---|
| ✓ 044374 | Plug type 25, Plastic/2P+N+E, 16A, 230/400V/50-60Hz |
| ✓ 044378 | Coupling type 25, Plastic/2P+N+E, 16A, 230/400V/50-60Hz |

✓ from stock, offer subject to prior sale

Switchable wall sockets

Mechanically locked, lockable with a padlock

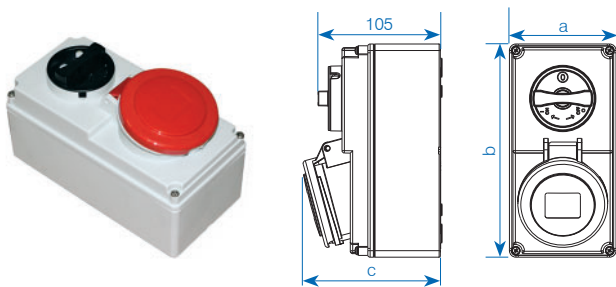
- Solid version made out of impact-proofed PC/ABS plastic
- Wired, ready for connection
- Lockable with a padlock when disconnected
- Version with protective cover for 6 modules, integrated DIN-rail for RCDs and MCBs



- Mechanical interlock:
 - The plug is interlocked **after plug-in and turned-on**
 - The switch is interlocked **after shut-off and pulling out the plug**

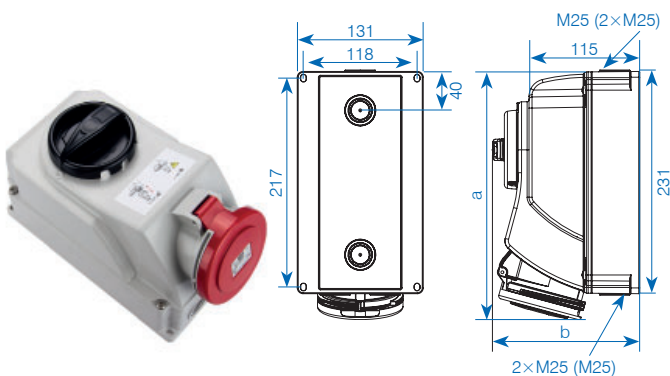
Switchable wall sockets IP44/IP54 without housing for fittings – compact range

| Item no. | No. of poles | Voltage (50-60HZ) | Strength of current | Dimensions |
|----------|--------------|-------------------|---------------------|-----------------|
| 043836 | 3P+E | 400V | 16A | a=90/b=180/c=59 |
| 043838 | 3P+N+E | 400V | 16A | a=90/b=180/c=60 |
| 043837 | 3P+E | 400V | 32A | a=90/b=180/c=66 |
| 043840 | 3P+N+E | 400V | 32A | a=90/b=180/c=67 |



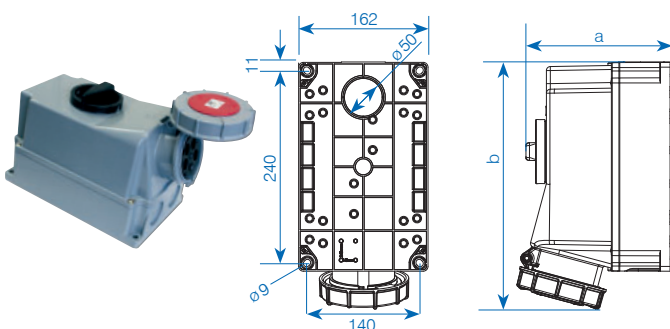
Switchable wall sockets IP44/IP54 including housing for fittings – compact range

| Item no. | No. of poles | Voltage (50-60HZ) | Strength of current | Dimensions |
|----------|--------------|-------------------|---------------------|------------------|
| 043826 | 3P+E | 400V | 16A | a=90/b=180/c=116 |
| ✓ 057219 | 3P+N+E | 400V | 16A | a=90/b=180/c=117 |
| 043828 | 3P+E | 400V | 32A | a=90/b=180/c=123 |
| ✓ 057221 | 3P+N+E | 400V | 32A | a=90/b=180/c=124 |



Switchable wall sockets IP44 including housing for AP installation

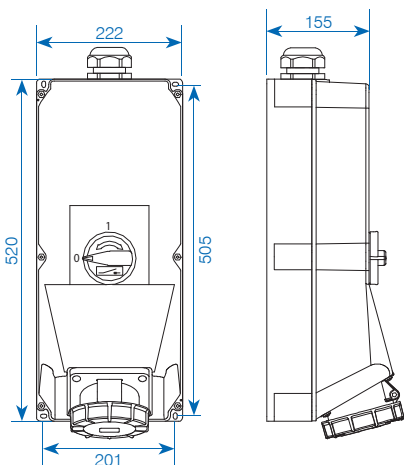
| Item no. | No. of poles | Voltage (50-60HZ) | Strength of current | Dimensions |
|----------|--------------|-------------------|---------------------|-------------|
| ✓ 056095 | 3P+E | 400V | 16A | a=249/b=153 |
| ✓ 016958 | 3P+N+E | 400V | 16A | a=249/b=153 |
| 057692 | 3P+E | 400V | 32A | a=259/b=153 |
| ✓ 016960 | 3P+N+E | 400V | 32A | a=259/b=153 |



Switchable wall sockets IP67 including housing for fittings – mechanical interlock

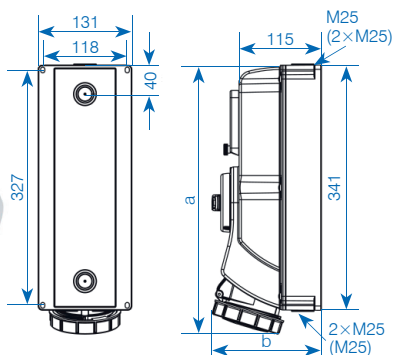
| Item no. | No. of poles | Voltage (50-60HZ) | Strength of current | Dimensions |
|----------|--------------|-------------------|---------------------|-------------|
| 022489 | 3P+E | 400V | 63A | a=184/b=310 |
| ✓ 018984 | 3P+N+E | 400V | 63A | a=184/b=310 |

✓ from stock, offer subject to prior sale



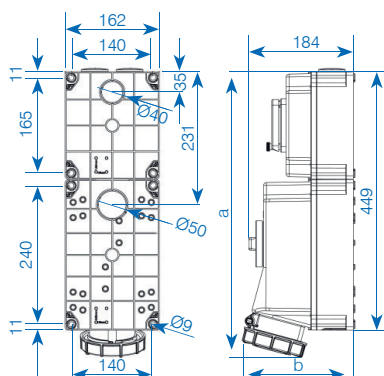
Switchable wall sockets IP67
with housing for fittings – mechanical interlock

| Item no. | No. of poles | Voltage (50-60 HZ) | Strength of current |
|----------|--------------|--------------------|---------------------|
| 149341 | 3P+E | 400V | 125 A |
| 124129 | 3P+N+E | 400V | 125 A |



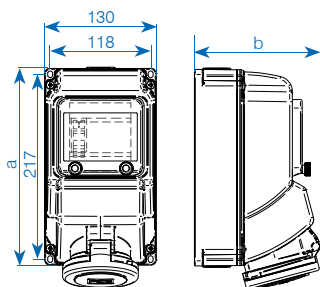
Switchable wall sockets IP67
without housing for fittings – mechanical interlock

| Item no. | No. of poles | Voltage (50-60 HZ) | Strength of current | Dimensions |
|----------|--------------|--------------------|---------------------|-------------|
| 043819 | 3P+E | 400V | 16 A | a=361/b=153 |
| ✓ 057223 | 3P+N+E | 400V | 16 A | a=363/b=153 |
| 043821 | 3P+E | 400V | 32 A | a=371/b=153 |
| ✓ 057225 | 3P+N+E | 400V | 32 A | a=372/b=153 |



Switchable wall sockets IP67
with DIN rail and cover for five module,
prepared for installation fuse elements

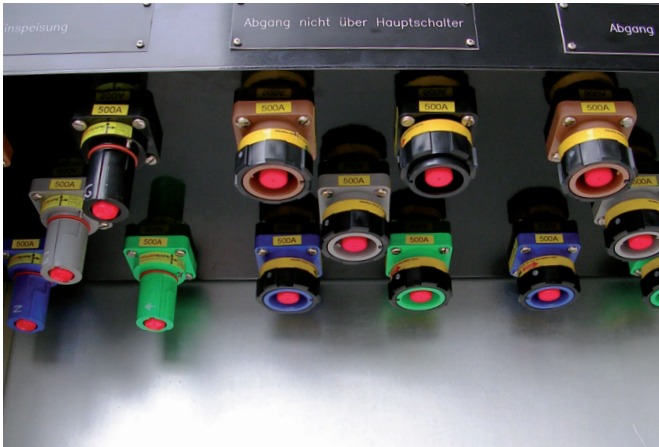
| Item no. | No. of poles | Voltage (50-60 HZ) | Strength of current |
|----------|--------------|--------------------|---------------------|
| 043825 | 3P+E | 400V | 63 A |
| ✓ 057227 | 3P+N+E | 400V | 63 A |



Fused wall socket IP44
5 poles, with DIN rail and cover for five modules,
incl. blind screw plug

| Item no. | Protections | Voltage (50-60 HZ) | Strength of current | Dimensions |
|----------|------------------|--------------------|---------------------|-------------|
| ✓ 167618 | FI 25 A/30 mA | 400V | 16 A | a=230/b=140 |
| ✓ 167619 | FI/LS 16 A/30 mA | 400V | 16 A | a=230/b=140 |
| ✓ 167620 | FI 40 A/30 mA | 400V | 32 A | a=230/b=148 |
| ✓ 167621 | FI/LS 32 A/30 mA | 400V | 32 A | a=230/b=148 |

Technical informations PowerSAFE



High current carrying capacity

The PowerSAFE connector's advanced contact design achieves its 800 A* continuous rating by utilising an arrangement of 29 transfer bridges. Each transfer bridge is rated at 30 A, giving a total of 870 A per contact. *Subject to environmental factors, cable choice, etc.

Technical Data

| | |
|------------------------------------|---|
| No. of contacts: | 1 |
| Max. continuous current rating: | up to 800 A |
| Surge current: | 75 kA |
| Short circuit rating: | up to 35.5 kA |
| Cable cross sectional area C.S.A.: | 25 mm ² to 300 mm ² |
| Contact termination: | Screw or crimp connection |
| Mating method: | Bayonet lock |
| Operating voltage: | 1'000 VAC |
| Max. rated voltage to earth: | 2 kVAC / 3 kVDC |
| Min. flashover: | 9.5 kVDC |
| Insulation resistance: | >5 MΩ@500VDC |
| Protection category: | IP67 |
| Protection against electric shock: | IP2X |
| Flammability: | UL94-V0 |
| Mating cycles: | > 500 |
| Material housing: | thermoplastic |
| Contact area: | silver |

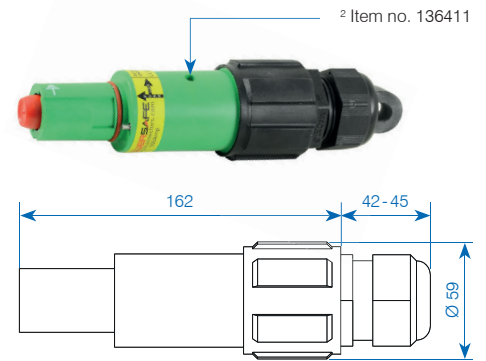
Product features

- maximum continuous current rating 800 A
- colour coded and mechanically keyed to prevent connection errors
- Flame retardant UL94-V0
- Locking mechanism to prevent accidental disconnection under load
- Finger proof contacts both genders (IP2X) to prevent access to electrical contacts when uncoupled
- silver-coated, self-cleaning contacts
- enhanced impact-resistant housing
- Protection category IP67
- for cables between 25 mm² and 300 mm²
- temperature resistant materials
- integrated cable strain relief
- Cable glands with generous clamping range
- Rubber protective caps to protect connectors from moisture, dirt and abrasion when uncoupled (optional)
- compatible with PowerLock
- CE-konform in EN 60309-1, DIN-EN 61984 and IEC 60900

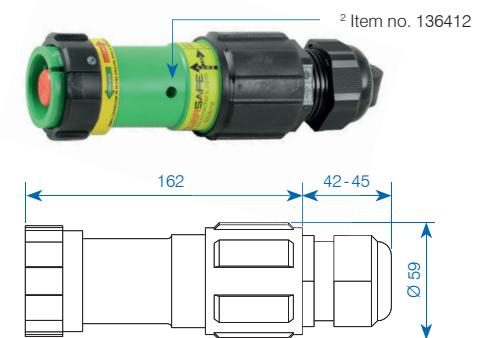
*Adapter sleeves available on request

Dimensions

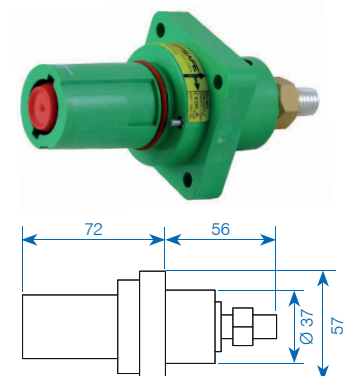
Plug



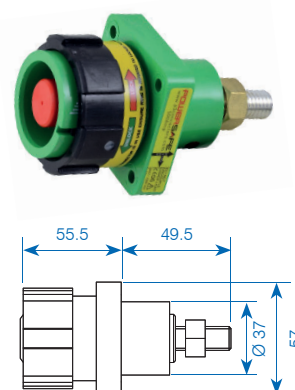
Connector with Rotalock



Plug-in connection



Built-in socket with Rotalock



Explanatory video
assembly PowerSAFE



Assortment

Plug

| | | Cable diameter 25-150mm ² Screw connection max. 500A | Cable diameter 185mm ² crimp connection max. 800A | Cable diameter 240mm ² crimp connection max. 800A | Protective cap | |
|----|--------------|--|---|---|----------------|----------|
| | | | | | IP44 | IP67 |
| | | Item no. | Item no. | Item no. | Item no. | Item no. |
| L1 | brown | ✓ 037821 ¹ | ✓ 242728 | ✓ 104992 | ✓ 257463 | ✓ 106545 |
| L2 | black | ✓ 037822 ¹ | ✓ 242729 | ✓ 104993 | ✓ 257463 | ✓ 106547 |
| L3 | grey | ✓ 037823 ¹ | ✓ 242730 | ✓ 104994 | ✓ 257463 | ✓ 106548 |
| N | blue | ✓ 037824 ¹ | ✓ 242731 | ✓ 104995 | ✓ 257463 | ✓ 106544 |
| PE | yellow-green | ✓ 037825 ¹ | ✓ 242732 | ✓ 104996 | ✓ 257463 | ✓ 106543 |



¹ Item no. 147795

¹ PowerSAFE reduction sleeve set 95mm²/70mm²/50mm²/35mm²/25mm² (Item no. 147795) incl. nozzle

² Accessories/spare parts: Item no. 136411 (47mm)

Connector with Rotalock

| | | Cable diameter 25-150mm ² Screw connection max. 500A | Cable diameter 185mm ² Screw connection max. 800A | Cable diameter 240mm ² Screw connection max. 800A | Protective cap | |
|----|--------------|--|---|---|----------------|----------|
| | | | | | IP44 | IP67 |
| | | Item no. | Item no. | Item no. | Item no. | Item no. |
| L1 | brown | ✓ 037816 ¹ | ✓ 242722 | ✓ 104981 | ✓ 257462 | ✓ 106540 |
| L2 | black | ✓ 037817 ¹ | ✓ 242724 | ✓ 104982 | ✓ 257462 | ✓ 106541 |
| L3 | grey | ✓ 037818 ¹ | ✓ 242725 | ✓ 104984 | ✓ 257462 | ✓ 106542 |
| N | blue | ✓ 037819 ¹ | ✓ 242726 | ✓ 104985 | ✓ 257462 | ✓ 106539 |
| PE | yellow-green | ✓ 037820 ¹ | ✓ 242727 | ✓ 104986 | ✓ 257462 | ✓ 106538 |



² Item no. 136411 (47mm)

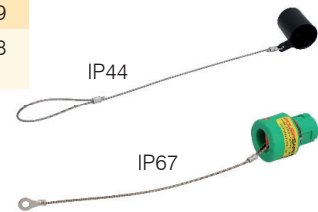
² Item no. 136412 (43mm)

¹ PowerSAFE reduction sleeve set 95mm²/70mm²/50mm²/35mm²/25mm² (Item no. 147795) incl. nozzle

² Accessories/spare parts: Item no. 136411 (47mm)

Plug-in connection

| | | Screw connection thread M12 max. 500A | Screw connection thread M12 max. 800A | Protective cap | |
|----|--------------|--|--|----------------|----------|
| | | | | IP44 | IP67 |
| | | Item no. | Item no. | Item no. | Item no. |
| L1 | brown | ✓ 038856 | ✓ 104997 | ✓ 257465 | ✓ 113312 |
| L2 | black | ✓ 038857 | ✓ 104998 | ✓ 257465 | ✓ 113313 |
| L3 | grey | ✓ 038858 | ✓ 104999 | ✓ 257465 | ✓ 113314 |
| N | blue | ✓ 038859 | ✓ 105000 | ✓ 257465 | ✓ 113315 |
| PE | yellow-green | ✓ 038860 | ✓ 105001 | ✓ 257465 | ✓ 113316 |



IP44

IP67

³ 45° adapter kit incl. screws for mounting

Built-in socket with Rotalock

| | | Screw connection thread M12 max. 500A | Screw connection thread M12 max. 800A | Protective cap | |
|----|--------------|--|--|----------------|----------|
| | | | | IP44 | IP67 |
| | | Item no. | Item no. | Item no. | Item no. |
| L1 | brown | ✓ 038851 | ✓ 104987 | ✓ 257464 | ✓ 105561 |
| L2 | black | ✓ 038852 | ✓ 104988 | ✓ 257464 | ✓ 105563 |
| L3 | grey | ✓ 038853 | ✓ 104989 | ✓ 257464 | ✓ 105564 |
| N | blue | ✓ 038854 | ✓ 104990 | ✓ 257464 | ✓ 113311 |
| PE | yellow-green | ✓ 038855 | ✓ 104991 | ✓ 257464 | ✓ 105565 |



Available on request:
Right-angled plug connector (90° angle) for plug and coupling **without** Rotalock
Cable cross-section max. 240mm²/800A

³ 45° adapter kit incl. screws for mounting

✓ from stock, offer subject to prior sale

Compact switchbox



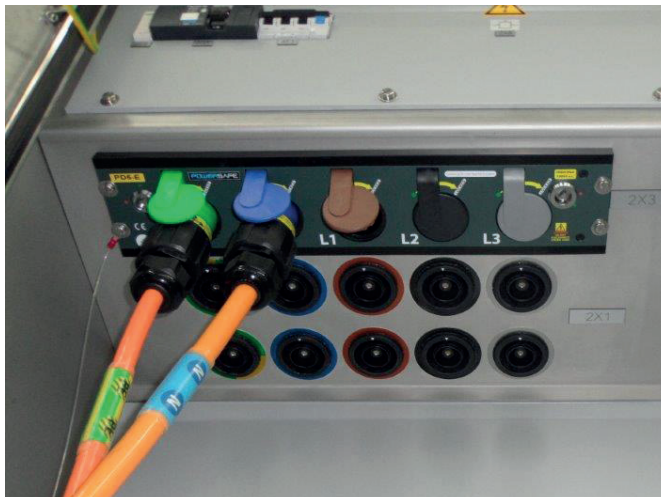
The PowerSAFE Box is a connecting unit for connecting to a generator or the mains. The sequence of connecting and disconnecting is predetermined to ensure the safety circuits (PE+N) are the first to be connected and the last to be disconnected. The coded connections also prevent the possibility of incorrect contacts.

Built-in connector box

| Item no. | Designation |
|----------|--|
| ✓ 144558 | PowerSAFE Panel Box up to 800A 3LNPE 108×483×149 mm (H×B×T), wall/housing assembly, 5-fold unit with built-in connectors |

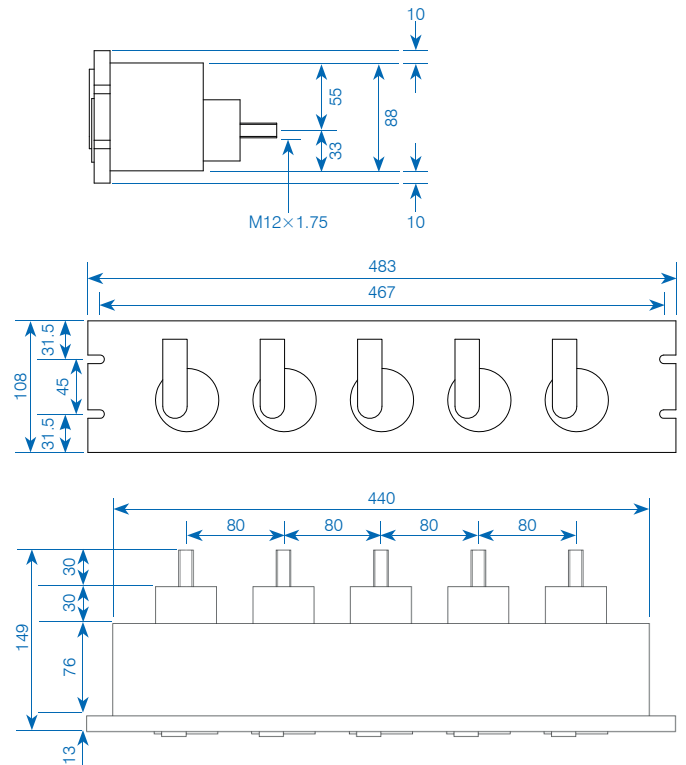
Built-in socket box

| Item no. | Designation |
|----------|---|
| 177113 | PowerSAFE Panel Box up to 800A 3LPE 108×483×149 mm (H×B×T), wall/housing assembly, 4-fold unit with built-in sockets |
| ✓ 134192 | PowerSAFE Panel Box up to 800A 3LNPE 108×483×149 mm (H×B×T), wall/housing assembly, 5-fold unit with built-in sockets |
| 130131 | PowerSAFE Panel Box up to 800A 3LNPE 2HE 88×483×149 mm (H×W×D), for Rack mounting, 5-fold unit with built-in sockets |



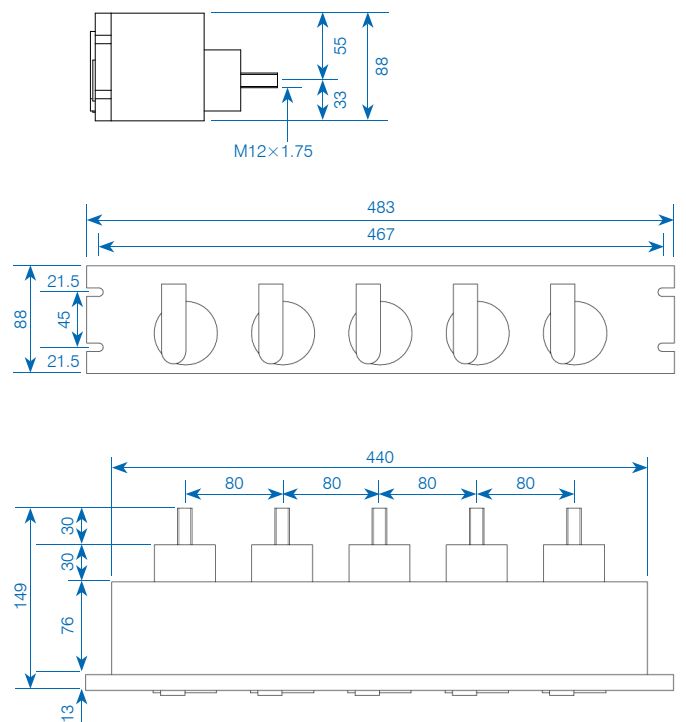
Dimensions Item no. 134192 and 144558:

Version for installation in housing/wall 108×483×149 mm (H×W×D)



Dimensions Item no. 130131:

Rack installation version 88×483×149 mm (H×W×D)



In any case, it must be excluded that the conductors could be connected or unplugged accidentally in the wrong order or individually to/from the unit.

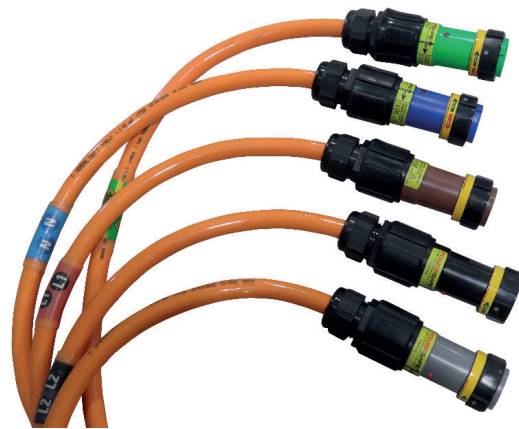
✓ from stock, offer subject to prior sale

Connecting cable set 3P+N+NE completely ready-made and labelled



| Item no. | Plug | Cable | Length | Cable socket |
|----------|-------|---|--------|-------------------------|
| 157660 | 500 A | 4×95mm ² /1×50mm ² | 5 m | 95mm ² /M12 |
| 157661 | 500 A | 4×120mm ² /1×95mm ² | 5 m | 120mm ² /M12 |
| 157893 | 500 A | 4×120mm ² /1×95mm ² | 10 m | 120mm ² /M12 |
| 141731 | 500 A | 4×150mm ² /1×95mm ² | 5 m | 150mm ² /M12 |
| 148347 | 500 A | 4×150mm ² /1×95mm ² | 10 m | 150mm ² /M12 |

Coupling cable set 3P+N+NE completely ready-made and labelled

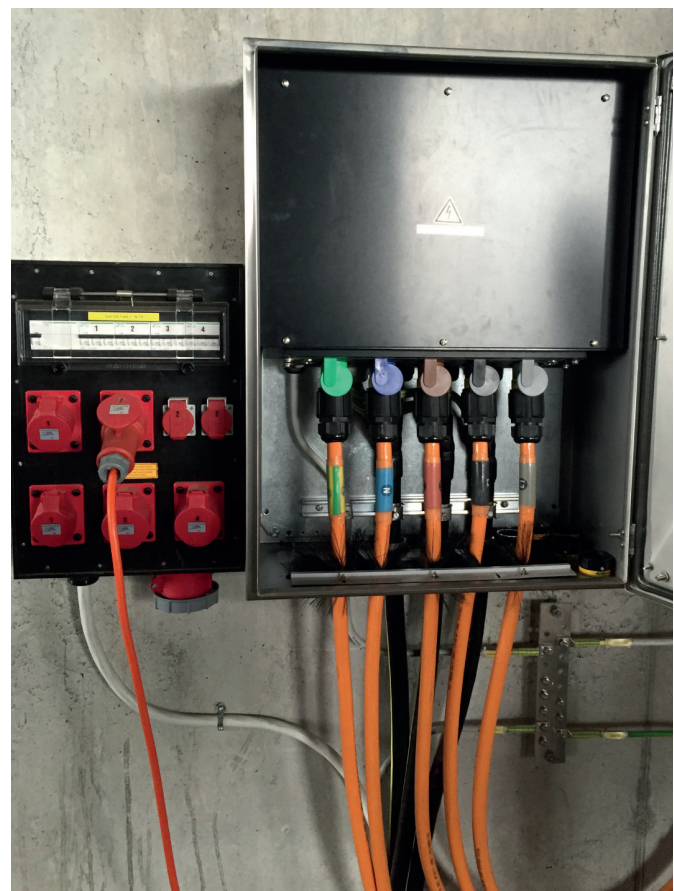


| Item no. | Connector | Cable | Length | Cable socket |
|----------|-----------|---|--------|-------------------------|
| 180157 | 500 A | 4×95mm ² /1×50mm ² | 5 m | 95mm ² /M12 |
| 175473 | 500 A | 4×120mm ² /1×95mm ² | 5 m | 120mm ² /M12 |
| 180158 | 500 A | 4×120mm ² /1×95mm ² | 10 m | 120mm ² /M12 |
| 180159 | 500 A | 4×150mm ² /1×95mm ² | 5 m | 150mm ² /M12 |
| 180160 | 500 A | 4×150mm ² /1×95mm ² | 10 m | 150mm ² /M12 |

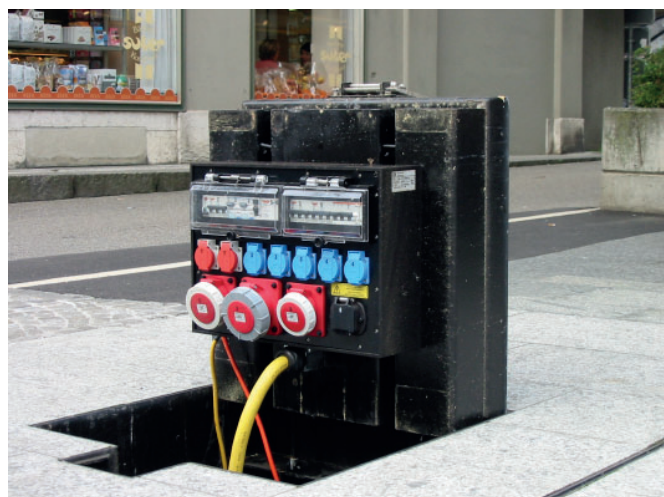
Extension cable set 3P+N+NE completely ready-made and labelled



| Item no. | Plug | Cable | Length | Connector |
|----------|-------|---|--------|-----------|
| 157812 | 500 A | 4×95mm ² /1×50mm ² | 5 m | 500 A |
| 161262 | 500 A | 4×95mm ² /1×50mm ² | 20 m | 500 A |
| 157813 | 500 A | 4×120mm ² /1×95mm ² | 5 m | 500 A |
| 157895 | 500 A | 4×120mm ² /1×95mm ² | 10 m | 500 A |
| 163908 | 500 A | 4×120mm ² /1×95mm ² | 50 m | 500 A |
| 157814 | 500 A | 4×150mm ² /1×95mm ² | 5 m | 500 A |
| 157816 | 500 A | 4×150mm ² /1×95mm ² | 10 m | 500 A |



Further executions on request.



GET IN TOUCH WITH US

News about the assortment and specific solutions can be found on our website:

www.gifas.ch

We reserve the right to make technical modifications. V 0924



GIFAS
ELECTRIC

GIFAS-ELECTRIC GmbH
Dietrichstrasse 2
CH-9424 Rheineck

+41 71 886 44 44
+41 71 886 44 49
info@gifas.ch
www.gifas.ch